

Klimt SH5

Ø 45 mm



Main characteristics

- 230 V AC - 50 Hz
- Electronic limit switch
- Built-in 433.92 MHz radio receiver
- Obstacle detector in both directions



Shutters



Obstacle
detection



Radio-
based



Full
automatic

Specific features

ESPECIALLY FOR SHUTTERS.

Universal head for applying any type of anchoring plate.

Adjustment of the middle endpoint (partial opening) possible.

Wired button can be connected with step-by-step command.

If an obstacle is detected while descending, the direction of movement is reversed.

Connection cable included: 2.5 m.

Programming window activation button.

FULL AUTOMATIC setting up to 20 Nm.

Control accessories



TRANSMITTERS/ TIMERS

Transmitters with
1-2-5-15 channels.
Timers with 1-5 channels.



detail of the output shaft



special pulley

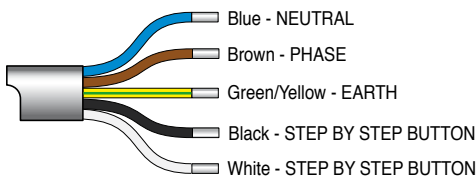
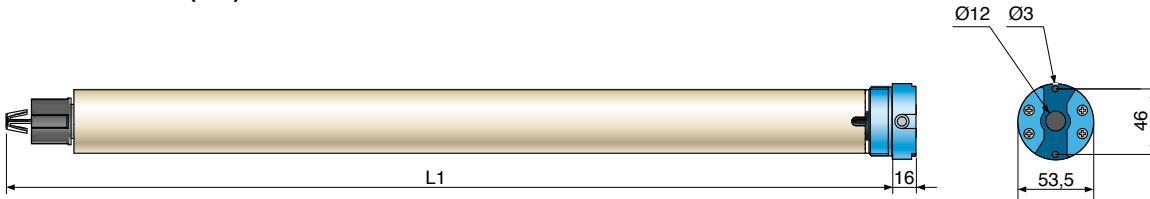
Klimt SH5

Ø 45 mm



KDEP#TEN3GA4S112

Dimensions (mm)



Klimt SH5



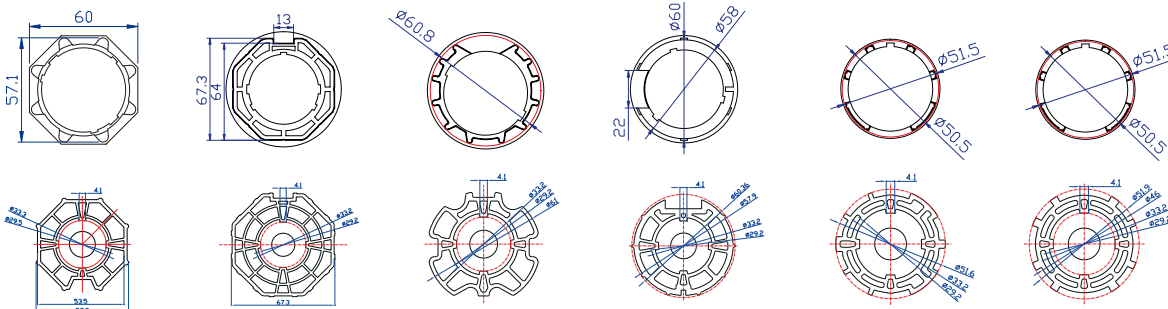
CODE	001Y5010A151KLS	001Y5010A261KLS	001Y5020A151KLS	001Y5030A151KLS	001Y5040A151KLS	001Y5050A121KLS
------	-----------------	-----------------	-----------------	-----------------	-----------------	-----------------

Technical information

Torque (Nm)	10	10	20	30	40	50
Speed RPM (turns/min)	15	26	15	15	15	12
Hoisted weight (kg)*	18	18	36	55	74	92
Limit switch turns (turns)	-	-	-	-	-	-
Duration of operation (min)	4	4	4	4	4	4
Power draw (A)	0.48	0.69	0.69	0.87	0.99	0.99
Power (W)	113	161	161	200	228	228
Protection rating (IP)	44	44	44	44	44	44
Tube length (mm) = L1	604	604	604	654	654	654
Weight (kg)	2.21	2.36	2.29	2.6	2.7	2.85
Package dimensions (mm)	660x80x80	660x80x80	660x80x80	710x80x80	710x80x80	710x80x80
Weight of packaged motor (kg)	2.47	2.71	2.64	3.0	3.1	3.25
Cable length (m)	2.5	2.5	2.5	2.5	2.5	2.5
Cable cross-section (mm) ²	5G 0.75	5G 0.75	5G 0.75	5G 0.75	5G 0.75	5G 0.75

* Load calculated for 50 mm roller.

Special adaptors for the SH version



001YK5104S	001YK5105S	001YK5112S	001YK5115S	001YK5116S	001YK5134S
Octagonal 59 x 0.7 mm	Octagonal 70 x 1.2 mm	Z.F. round 64 x 1 mm	DEPRAT ogive 62 x 0.6 mm	Z.F. round 54 x 0.5 mm	DEPRAT round 53 x 0.6 mm

PRODUCTS



www.came.com