

# Chopin

Weather station



## Main characteristics

- IP 55 enclosure
- Compatible with Sun/Wind/Rain weather sensors
- Output with neutral contacts to repeat the commands

## Specific features

Weather station for mechanical tubular motors.

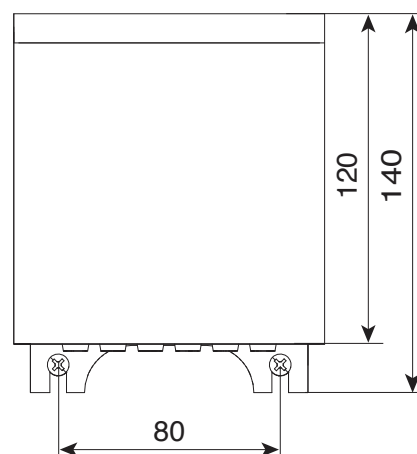
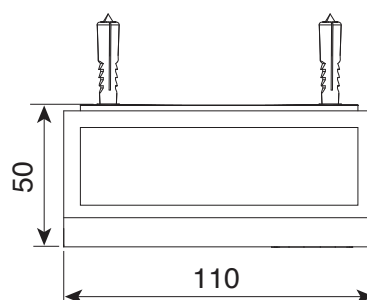
Adjustment of Wind/Sun threshold using trimmer.

Can be connected to central control modules.

The operator can be opened or closed when the wind or rain alarm is set off.

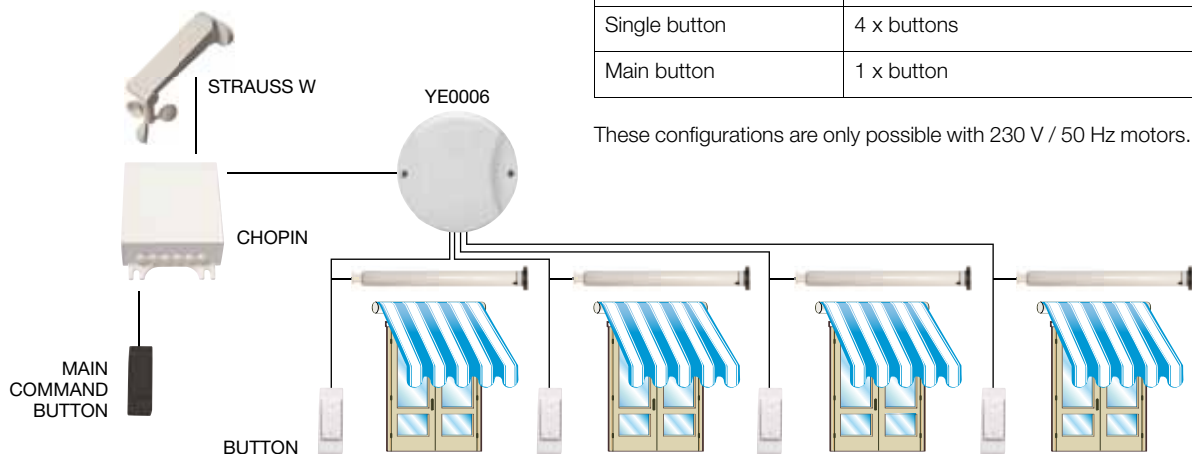
6A motor output - up to 1000 W.

Separate inputs for UP/STOP/DOWN commands.



## Example of use

4 electromechanical motors with wired CHOPIN weather station, STRAUSS W weather sensor, YE0006 module with local buttons and general command.



Motor	4 x electromechanical motors
Receiver	1 x CHOPIN station
Weather sensor	1 x STRAUSS W (wired)
Central control module	1 x YE0006 centralisation module
Single button	4 x buttons
Main button	1 x button

These configurations are only possible with 230 V / 50 Hz motors.

## Chopin

CODE

001YE0023

## Technical information

Power supply (V/Hz)	230 V AC - 50 Hz
Frequency (MHz)	-
Radio coding	-
Protection rating (IP)	IP 55
Temperature of use (°C)	-20° / +55°
Dimensions (mm)	140x50x110
Weight (g)	520

## Typical uses

- Awnings
- Shutters