

Chopin KLT

Weather station



Main characteristics

- IP 55 enclosure
- Version with 433.92 MHz radio receiver
- Compatible with Sun/Wind/Rain weather sensors
- Output with neutral contacts to repeat the commands

Specific features

Weather station for mechanical tubular motors.

Adjustment of Wind/Sun threshold using trimmer.

24 bit with 4,194,304 combinations

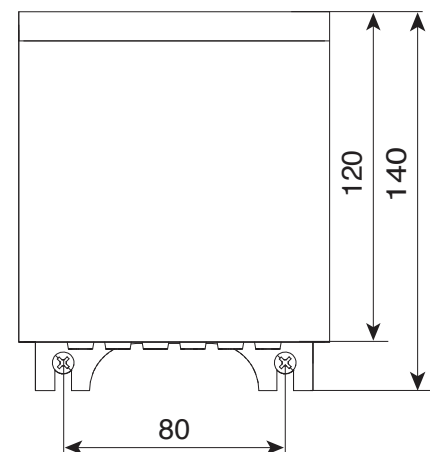
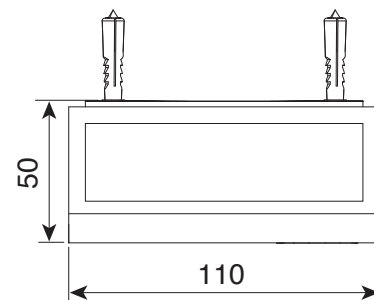
Can be connected to central control modules.

The operator can be opened or closed when the wind or rain alarm is set off.

6A motor output - up to 1000 W.

Memorises up to 25 transmitters, including STRAUSS KLT weather stations.

Separate inputs for UP/STOP/DOWN commands.



Chopin KLT

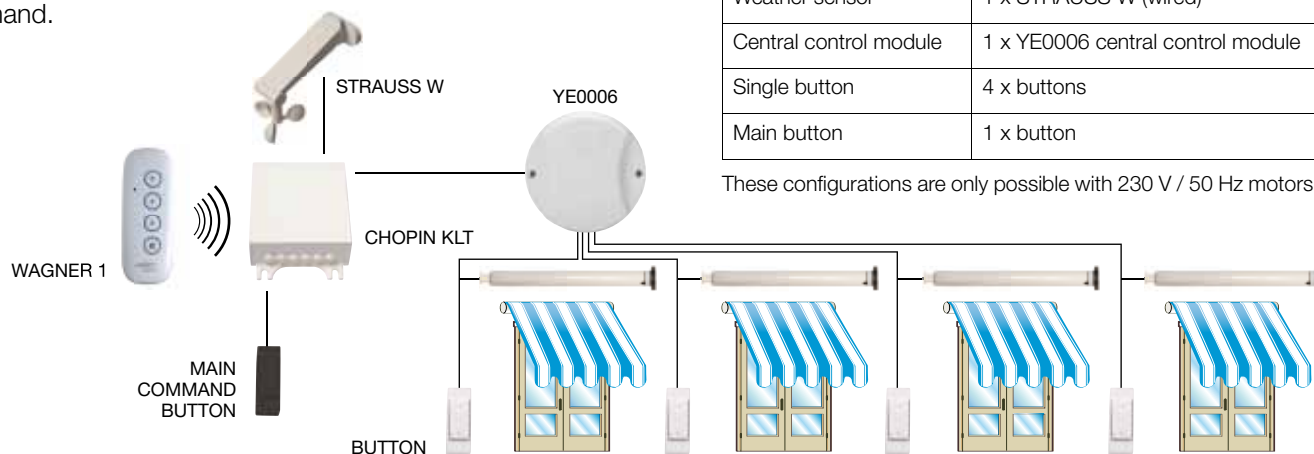
Weather station



KDEP#TENPBA4S112

Example of use

4 mechanical motors with wired CHOPIN KLT weather station, STRAUSS W weather sensor, YE0006 module with local buttons and general command.



Motor	4 x mechanical motors.
Transmitter	1 x WAGNER 1
Receiver	1 x CHOPIN KLT station (with built-in receiver)
Weather sensor	1 x STRAUSS W (wired)
Central control module	1 x YE0006 central control module
Single button	4 x buttons
Main button	1 x button

These configurations are only possible with 230 V / 50 Hz motors.

Chopin KLT

CODE

001YE0120

Technical information

Power supply (V/Hz)	230 V AC - 50 Hz
Frequency (MHz)	433.92
Radio coding	24 bit
Protection rating (IP)	IP 55
Temperature of use (°C)	-20° / +55°
Dimensions (mm)	140x50x110
Weight (g)	520

Models available

- CHOPIN KLT: wired weather station with built-in radio-based 24 bit 433.92 MHz receiver. Compatible with WAGNER and VIVALDI model transmitters.

Typical uses

- Awnings
- Shutters



www.came.com