

Strauss

Weather sensor



Main characteristics

- 230 V/50 Hz
- Wired transmission
- Sun and wind sensors included

Specific features

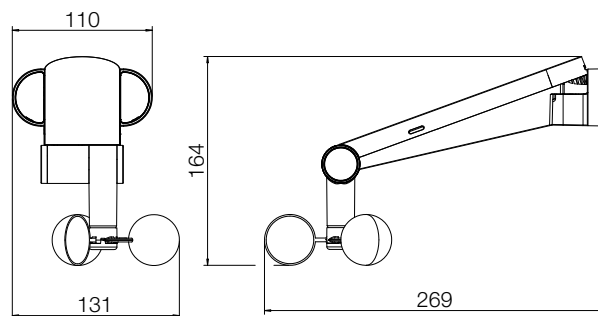
Weather device for controlling awning movement automatically according to weather conditions.

Adjustable intervention threshold for the sun and wind sensors.

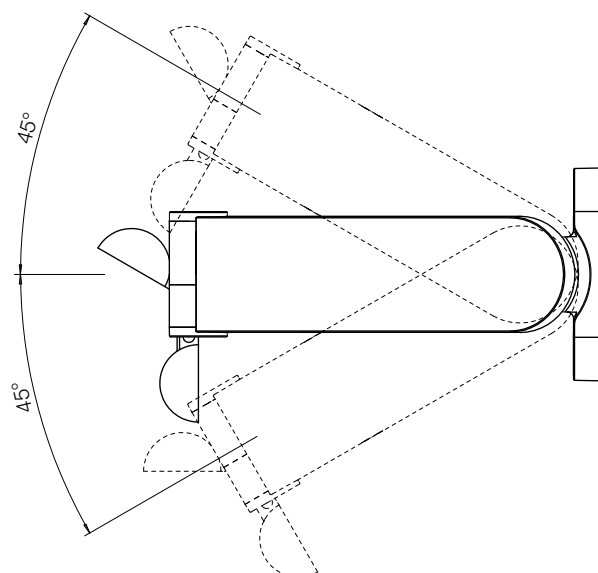
LED showing the type of alarm that has been set off.

Swivel adjustment bracket.

STRAUSS dimensions.



STRAUSS W and STRAUSS SW dimensions.
Swivel bracket.





Technical information

	STRAUSS	CHOPIN & CHOPIN KLT
	Wired sensor, can be combined with CHOPIN.	Wired weather station.
	001YE0007 - STRAUSS W	
	Wind sensor.	
	001YE0008 - STRAUSS SW	
	Sun/wind sensor.	
Power supply (V/Hz)	-	
Frequency (MHz)	-	
Radio coding	-	
Range (m)	-	
Protection rating (IP)	IP 44	
Temperature of use (°C)	-20° / +55°	
Dimensions (mm)	131x269x164	
Weight (g)	350	
WIND SENSOR		
Measuring range (km/h)	1/100	
Threshold (km/h)	1	
Wind sensor adjustment (km/h)	5/40	
Early warning	after 120 h with no wind	
SUN SENSOR		
Measuring range (Klux)	0/60	
Threshold (Klux)	1	
Threshold adjustment (Klux)	15/60	

Compatible with Strauss

- Tubular motors with mechanical limit switch equipped with CHOPIN or CHOPIN KLT weather station.

Typical uses

- Awnings
- Sun screens blinds